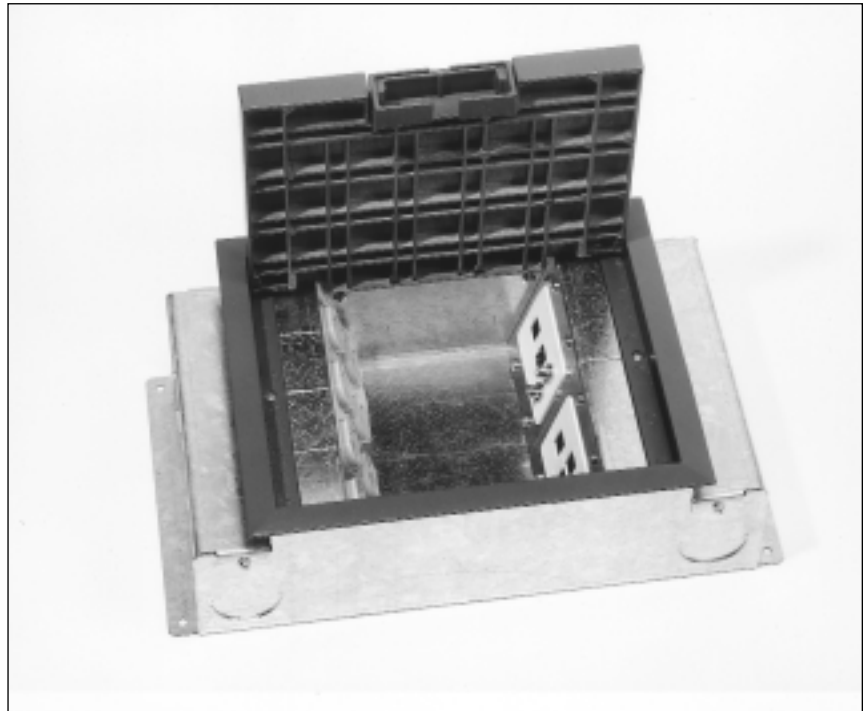


## High Capacity Concrete Floor Box



The Walker RFB8 Floor Box offers a full eight gangs, for power and communication device needs. The RFB Floor Box is UL Listed to U.S. and Canadian safety standards for use on carpeted floors only. Some of those applications are for schools, financial and government institutions, and commercial office buildings.



RFB8 and RFB8SL.

### Features & Benefits

- **High capacity, multi-compartment box.** Provides two separate compartments, for up to eight single-gangs, four single-gangs per compartment to accommodate power and communication devices.
- **Cable guard.** Shields wires from mechanical damage due to kicks and knocks.
- **Leveling legs.** Provide full pre-concrete pour adjustability for labor saving installations by adapting to any concrete pour.
- **Unique locking toggle.** Secures assembly to concrete insert sleeve, and allows for post concrete pour adjustment. Labor savings by adapting to any concrete pour.
- **Integral power device mounting bracket and single-gang metal device plates.** Provides flexibility to use a wide range of power devices, and allows for quick installation of power devices.
- **Die-cast zinc lid and trim, is 180° reversible.** Provides durable, aesthetically pleasing lid which can be oriented to best meet the user's workstation location.
- **RFB8SL concrete-tight sleeve.** Provides (18) KOs: 3/4", 1", and 1 1/4" [19.1mm, 25mm, and 32mm]. Allows for most conduit schemes, even feed through capability, which saves time and money during installation. Stamp steel construction meets requirements for above grade application. May also be used on-grade, with a vapor barrier, where permitted by local code.
- **Datacom connectivity options.** Accepts industry standard and proprietary devices from a wide range of manufacturers to provide a seamless and aesthetically pleasing interface for voice, data, audio, and video applications at the point-of-use. A wide selection of data and bezel options available for use with Ortronics® TracJack™ and Series II devices.

# Datacom Connectivity Options

Now you have a wide range of options for providing datacom connectivity into Wiremold® Cable Management Systems. They are:

- Ortronics® TracJack® and Series II Modular Connectivity Solutions
- Activate™ Modular Inserts
- Open System Communication Modules

Use these icons to determine connectivity options for each Wiremold system component:



ORT

## Ortronics® Connectivity

ACT

### TracJack® Individual Jack System

OPEN

- Front-loading, snap-in design supports future moves adds and changes
- Inserts for voice, data, audio, and video
- Available Category 3, 5e, 6, USOC 6-position, and other media
- Flat or angled 45° exit configurations
- Choice of 13 colors and color matched to Wiremold systems
- Universal T568A/B wiring format



### Series II Front-Loading, Module System

- Module design features easy snap-in front-loading design
- Linear 110 punch down format for easy termination
- Inserts for voice, data, audio, and video
- Available Category 3, 5e, 6, USOC 6-position, and other media
- Available in flat or angled 45° exit configurations
- Color matched to Wiremold systems



For detailed product selection refer to the [Ortronics Catalog](#).

ORT

## Activate™ Modular Connectivity System

ACT

- Modular inserts for voice, data, audio and video applications
- Front-load, snap-in design
- Color and texture matched to Wiremold systems
- Available Category 3, 5e, 6, as well as 6-position USOC
- Universal T568A/B wiring format

OPEN



For more information on integrating Activate Modular Connectivity into Wiremold Cable Management Systems contact the Wiremold Applications Engineering Team or your local Wiremold Sales Representative.

ORT

## Open Connectivity Solutions

ACT

### Wiremold Open System Communications Modules

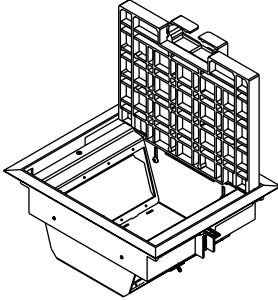
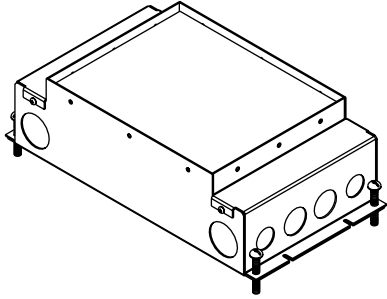
OPEN

- Accommodate a wide range of manufacturers' communications outlets including keystone jacks, as well as proprietary solutions from Avaya (Lucent) and NORDX
- Modules insert into a wide range of Wiremold systems
- Pre-punched faceplates accept common communication devices




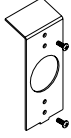
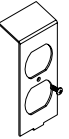
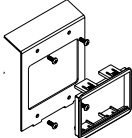
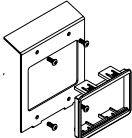
For more information on integrating connectivity into Wiremold Cable Management Systems contact the Wiremold Applications Engineering Team or your local Wiremold Sales Representative.

## RFB8 Recessed Floor Box

Catalog No./Item	Description/Specifications
<p><b>RFB8</b></p> <p><b>Two-Compartment Box</b> – For up to eight single-gangs, four single-gangs per compartment. Fully adjustable after the pour. The RFB8 is designed to be used <b>only</b> with the RFB8SL concrete-tight sleeve. This box cannot be used for raised floor applications. Total after pour adjustability is 1 1/2" [41mm].</p> <p><i>NOTE: All boxes and device cover plates are sold separately.</i></p> 	<p><b>RFB8SL</b></p> <p><b>Concrete-Tight Stamped Steel Sleeve</b> – For above grade pours. Used to allow installation of the RFB8 floor box in concrete. Eighteen KOs 3/4", 1", and 1 1/4" [19.1mm, 25mm, and 32mm] with feed through capability. Mudcap provided. Total prepour adjustability is 2" [51mm].</p> 

*NOTE: The RFB8 and the RFB8SL must always be used together.*

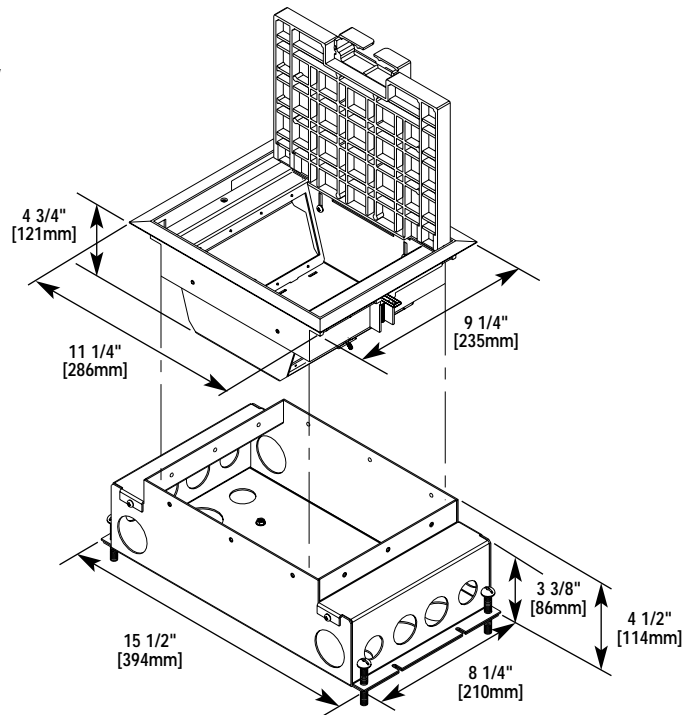
## RFB8 Recessed Floor Box Plates

Catalog No./Item	Description/Specifications
<p><b>RFB8B</b></p>  <p><b>Floor Box Plate</b> – Used to blank off single-gang power or communication opening.</p>	<p><b>RFB8SR</b></p>  <p><b>Floor Box Plate</b> – Used for one single-gang, single receptacle up to 1.39" [35mm] diameter.</p>
<p><b>RFB8DP</b></p>  <p><b>Floor Box Plate</b> – Used for one standard duplex receptacle or Type 106 Communication Device.</p>	<p><b>RFB8ACT</b></p>  <p><b>Floor Box Plate</b> –</p> <ul style="list-style-type: none"> <li>• Activate, CM-MAB bezels.</li> <li>• Wiremold open inserts.</li> </ul> <div style="text-align: right; margin-top: 10px;"> <span style="background-color: #cccccc; padding: 2px 5px;">ORT</span>  <span style="background-color: #003366; color: white; padding: 2px 5px;">ACT</span>  <span style="background-color: #003366; color: white; padding: 2px 5px;">OPEN</span> </div>
<p><b>RFB8-RT</b></p>  <p><b>Floor Box Plate</b> –</p> <ul style="list-style-type: none"> <li>• Ortronics MAB6TJ TracJack and MAB3S2 Series II bezels included.</li> </ul> <div style="text-align: right; margin-top: 10px;"> <span style="background-color: #003366; color: white; padding: 2px 5px;">ORT</span>  <span style="background-color: #cccccc; padding: 2px 5px;">ACT</span>  <span style="background-color: #cccccc; padding: 2px 5px;">OPEN</span> </div>	

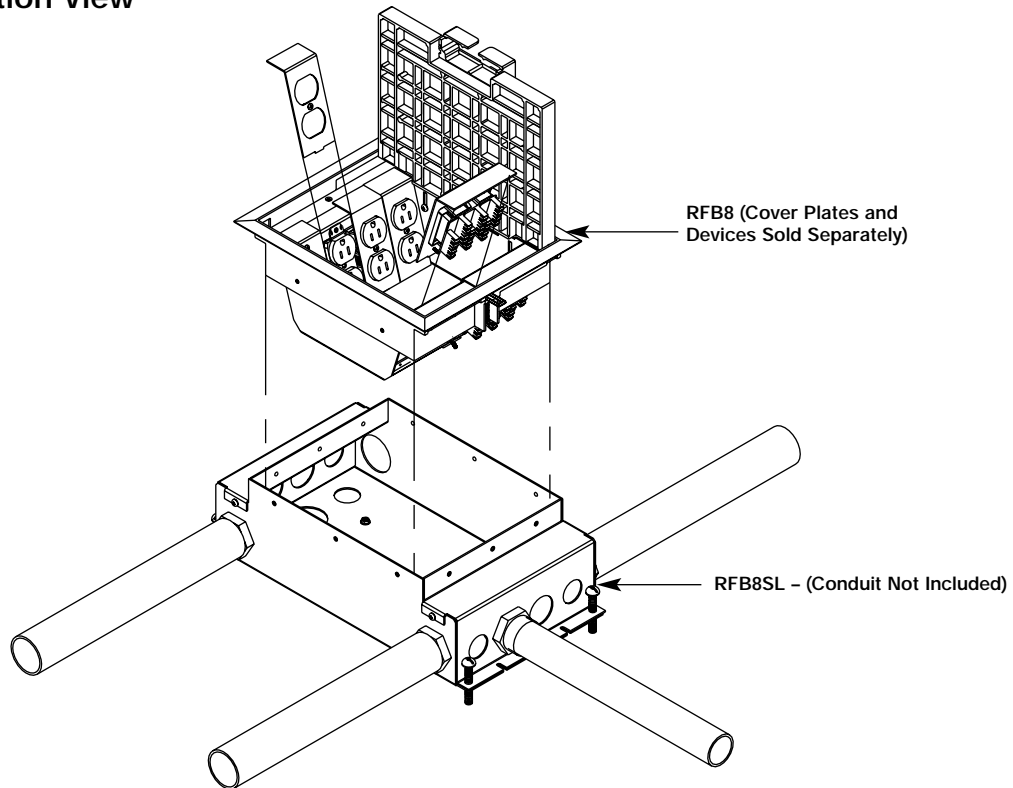
*NOTE: Custom communication plates available. Consult factory.*

## RFB8 Installation Detail

### Product Exploded View



### Typical Application View



**WIREMOLD®**  
**Walker® Infloor Systems**

The Wiremold Company  
U.S. and International:  
60 Woodlawn Street • West Hartford, CT 06110  
1-800-621-0049 • FAX 860-232-2062 • Outside U.S.: 860-233-6251  
Canada:  
850 Gartshore Street • Fergus, Ontario N1M 2W8  
1-800-741-7957 • FAX 519-843-5980

