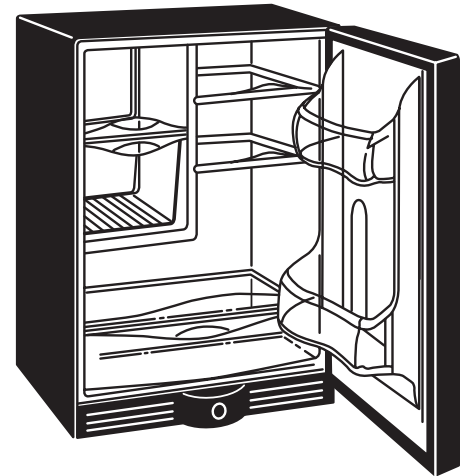
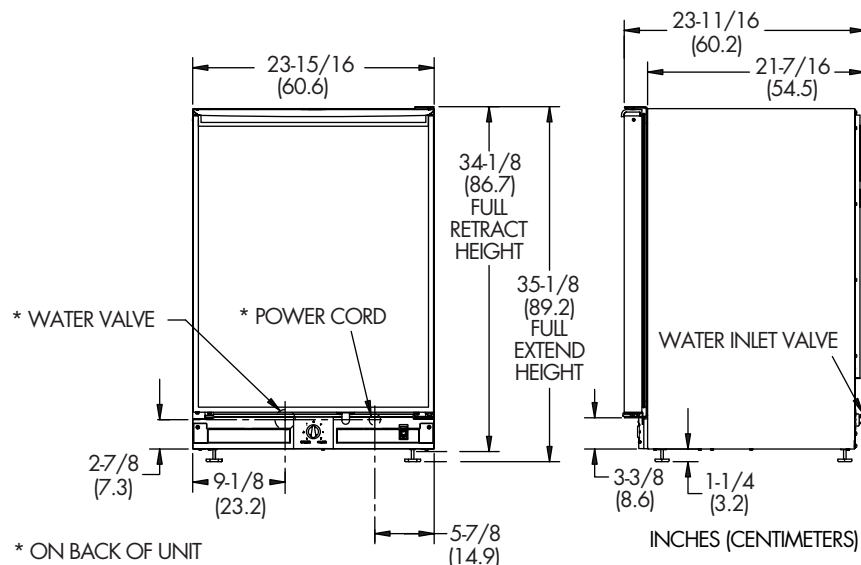


Custom 1/4" Door Panel: 28-5/32" H x 23-1/32" W (71.5 cm x 58.5 cm)  
 3/4" Full Overlay Panel: 29-7/8" H x 23-3/4" W (75.9 cm x 60.3 cm)  
 See Overlay Door Panel Preparation Instructions

**A FROST FREE 6 cubic foot built-in under the counter combination ice maker/refrigerator which produces up to eight (8) pounds of ice per day and stores thirteen (13) pounds.**



## EXCLUSIVE FEATURES OF ÉCHELON™

### 1. Frost Free Technology

**BENEFIT:** Eliminates the need to defrost. U-Line is the only manufacturer to utilize frost free technology in an under the counter ice maker/refrigerator.

### 2. Optional full overlay door capability (panel kit) using a 3/4 inch thick panel

**BENEFIT:** Provides a fully integrated appearance with surrounding cabinets. Overlay panel is easily attached to the door.

### 3. Three fully encapsulated, contoured, spill proof shelves

**BENEFIT:** Upscale appearance that contains spills to one shelf. Easy to clean. The shelves consist of two half shelves located on the side of the ice making compartment and a full sized, stylized, etched bottom crisper shelf.

### 4. Two adjustable, contoured, self contained, inner door "pick-off" shelves

**BENEFIT:** These highly stylized shelves are adjustable for the storage of a variety of different bottle, can, and container sizes and shapes thereby

providing optimum space utilization and flexibility. These self contained shelves can be removed and used to transport their contents to other cooking areas in the home or outside patio.

### 5. Bottom inner door shelf accommodates a two liter or 750 ml bottle

**BENEFIT:** Provides greater storage capabilities and flexibility.

### 6. Highly styled, removable, clear lower crisper drawer

**BENEFIT:** Optimizes the organization of product stored in the crisper. The crisper may also be used to transport its contents to a cooking or serving area.

### 7. Indented or recessed shelf channels support the encapsulated shelves

**BENEFIT:** Provides a sleek, clean appearance to the interior of the cabinet by eliminating protruding shelf supports. Also provides a more secure, rigid fit for the encapsulated shelves.

# SUPERIOR FEATURES OF ÉCHELON™

- 1. Self closing door hinges are engaged when door is open approximately 8-10 inches**  
**BENEFIT:** Ensures a positive door seal and prevents door bounce back.
- 2. "L" shaped door hinges**  
**BENEFIT:** This hinge design provides greater door support thereby permitting larger and heavier door panels and full overlay doors to be utilized.
- 3. A slightly contoured, across the top, integrated door handle design for black and white units**  
**BENEFIT:** The contoured shape maintains the stylized shape of the Echelon™ series plus permits full door field reversibility on black and white units.
- 4. Improved Refrigeration System**  
**BENEFIT:** Provides COLDER ice making and ice storage temperatures thereby providing a "harder" ice cube less prone to sticking together and also increasing the daily ice making capacity by 35%. The refrigerator portion of the CO2075FF also maintains a consistent temperature.
- 5. Flat, recessed, front grille with "warmer/colder" control settings**  
**BENEFIT:** Greater toe kick space. Easy to read molded temperature control settings. The grille design shields the interior motor compartment and all electrical components from view.
- 6. New condenser design**  
**BENEFIT:** Optimizes product performance and energy efficiency while providing reductions in noise levels.
- 7. New style condenser fan motor located farther away from the condenser**  
**BENEFIT:** Further reduces the noise level with the utilization of the new condenser that permits the use of a lower speed condenser fan.
- 8. Easier service accessibility to components**  
**BENEFIT:** Evaporator and evaporator fan motor easily accessible from the front without removing the freezer housing. The temperature control and defrost timer are easily accessible from the front. The ice maker assembly and the evaporator fan have a quick disconnect plug. The ice maker assembly is mounted by only two screws making it easy to remove and service.
- 9. All stainless steel units have a seamless full wrap stainless steel cabinet and door with sculpted, contoured handle.**  
**BENEFIT:** This seamless full wrap stainless steel door with sculpted stainless handle distinguishes the Echelon™ stainless steel units from other heavier "commercial" looks. All stainless steel units have a full wrap stainless cabinet, stainless hinges, and black grille. All stainless units must be ordered either right or left hand hinged and are not field reversible.
- 10. The CO2075FF stainless unit is UL Outdoor Approved.**  
**BENEFIT:** For those outdoor applications that require UL Outdoor Approval, the Combo 2075FF stainless steel unit meets these requirements.
- 11. Field reversible doors (except stainless steel).**  
**BENEFIT:** Greater flexibility where the unit can be installed and allows for side-by-side applications.

## ADDITIONAL FEATURES

1. Approximately 4.2 cubic feet of refrigeration
2. No drain required for water
3. Conserves on water
4. Built-in or freestanding
5. All doors (except stainless steel) accommodate a 1/4 inch thick custom panel. Door comes standard with factory installed black or white flush panel
6. Door locks optional on black and white units. Not available on stainless steel
7. Interior light
8. Vinyl clad steel cabinet (black / white)
9. Adjustable leveling legs
10. Available in black, white and stainless steel

## BENEFITS

- Ice making and refrigeration in one compact unit.
- Easy and inexpensive to install. Requires only a 1/4 inch outside diameter water line.
- Uses only 2-3/4 gallons of water to produce approximately 22 lbs. of ice.
- Provides custom look. No additional clearance around sides, top, or rear for ventilation. **Do not obstruct front grille.**
- Standard feature to achieve a custom, built-in look by matching surrounding cabinets.
- Doors remain field reversible. Locks located in upper, middle portion of door.
- Automatically illuminates when door opens.
- Textured, rich look. More resistant to scratching, peeling and flaking. Cabinet sides extend completely to the floor.
- More precise undercounter fit, durable-factory installed.
- Blends with all cabinet colors.