

OS Series

Indoor/Outdoor Loudspeaker



INTRODUCTION

The OS Series Indoor/Outdoor loudspeakers from Niles combine high-performance and 100% weatherproof construction to provide the most discriminating listener with outstanding audio reproduction in both indoor and outdoor installations.

SPECIFICATIONS

RECOMMENDED AMPLIFIER POWER

OS3
5 to 75 watts per channel
OS6, OS10
10 to 100 watts per channel
OS20
10 to 150 watts per channel

NOMINAL IMPEDANCE
8 Ohms

FREQUENCY RESPONSE

OS3
110 Hz to 20kHz ± 5 dB
OS6
110 Hz to 21kHz ± 3 dB
OS10
75 Hz to 21kHz ± 3 dB
OS20
68 Hz to 21kHz ± 3 dB

SENSITIVITY

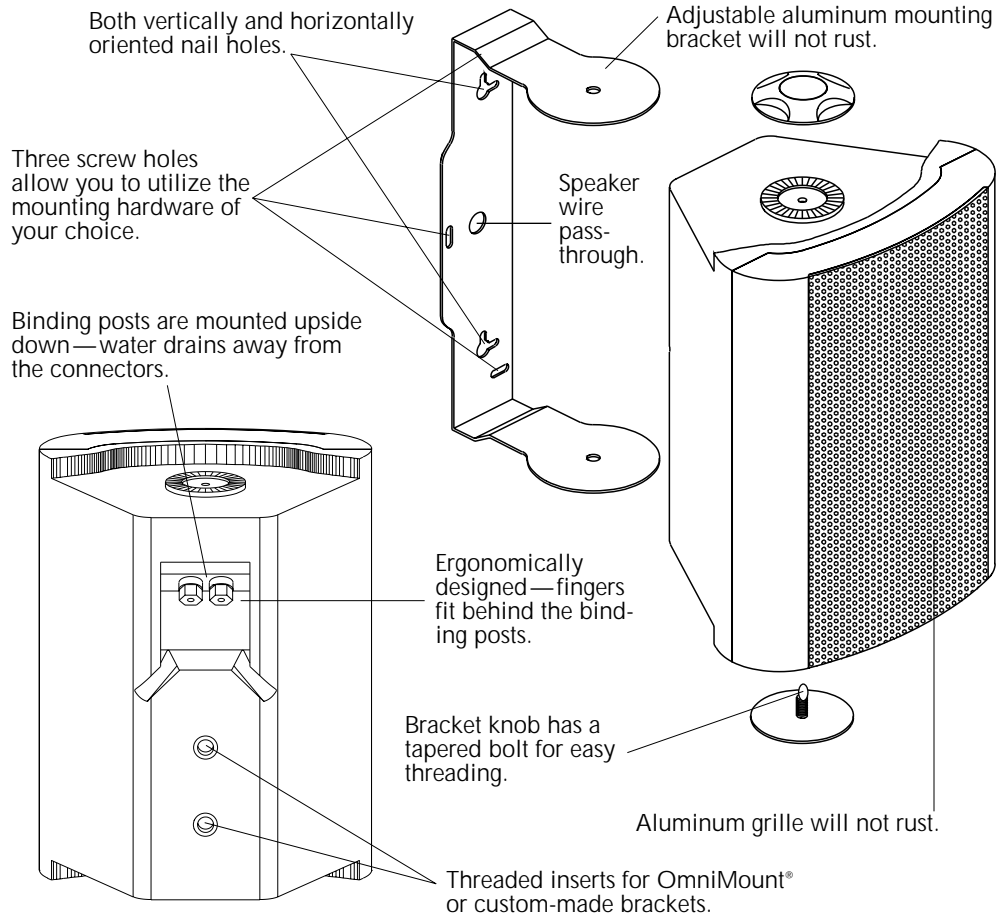
OS3, OS20
91 dB for 2.83V Pink Noise
OS6, OS10
89 dB for 2.83V Pink Noise

DIMENSIONS (WITH U BRACKET)

OS3, OS6
7" W x 9-1/4" H x 6-5/8" D
OS10
8-3/8" W x 11" H x 7-9/16" D
OS20
9-7/8" W x 13" H x 9" D

WEIGHT (WITH BRACKET)

OS3 — 4 lbs. 8 oz. each
OS6 — 4 lbs. 12 oz. each
OS10 — 6 lbs. 6 oz. each
OS20 — 8 lbs. 5 oz. each



FEATURES AND BENEFITS

Crystal Clear and Natural Sounding Highs from Anywhere Within the Listening Area.

The OS6, OS10, and OS20 models feature Niles' proprietary 1" ElastoDynamic® wide dispersion dome tweeter, while the OS3 features a 1" ultra-wide dispersion polycarbonate tweeter. The ElastoDynamic tweeter's unique design features a fluid-cooled neodymium motor structure for reliable

operation at high output levels. Additionally, this tweeter's unique design is made waterproof by covering its natural fiber dome substrate with a microscopically thin elastomer coating. This coating also prevents high-frequency ringing from causing hearing fatigue.

Rich, Satisfying Bass Even with Modest Power.

Each of the woofers in the OS speakers feature mica filled polypropylene cones, butyl rubber surrounds, and magnet structures which are optimized to enable long excursions of the woofer. The result is a speaker capable of reproducing deep, powerful bass, with clarity and accuracy even when driven by modestly powered amplifiers or receivers.

Designed to be Installed Easily, Even in Tight Spaces.

The OS series speakers incorporate many unique design features, including an elegantly tapered cabinet which can be installed vertically or horizontally while fitting neatly into corners or under eaves. Their shatterproof glass and mineral filled enclosures are completely sealed and internally cross-braced for increased rigidity. The speakers' tex-

APPLICATION NOTES

ured surface, rust-proof aluminum grill, and pivoting mounting bracket are fully paintable.

Niles OS speakers may be hung from a nail, screwed to almost any mounting surface using the appropriate hardware, or may be placed on a bookshelf when installed without the bracket. Additionally, the OS series speakers feature brass 1/4-20 threaded inserts for use with OmniMount® or other custom mounting brackets.

Weather-resistant Construction Exceeds U.S. Military Specifications for Years of High Performance.

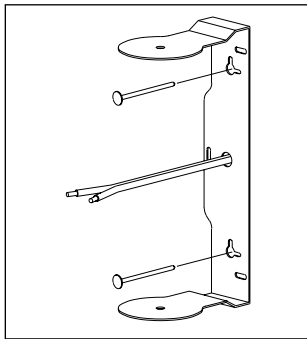
The OS series speakers exceed military anti-corrosion specs, featuring stainless steel or brass hardware and inverted five-way binding posts which are gold-plated to prevent corrosion. The components themselves are UV resistant, saltwater corrosion-resistant, and are capable of withstanding temperature extremes of -50 to over 200° Fahrenheit.

Placing the OS Series Speakers for the Best Sound Quality

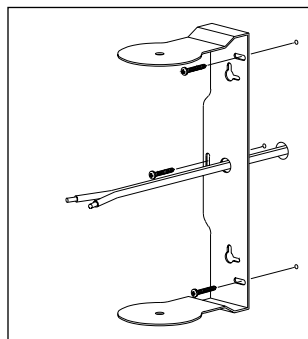
The OS Series speakers feature high sensitivity ratings, very broad dispersion patterns, and high power handling capabilities. However, if a single pair is positioned to provide coverage of a very large room or patio, you may notice "hot spots" of excessive volume in the areas closest to the speakers. The best way to achieve adequate coverage over a large area is to use more

than one pair. A good rule of thumb is one pair of speakers for every 200 square feet of listening area.

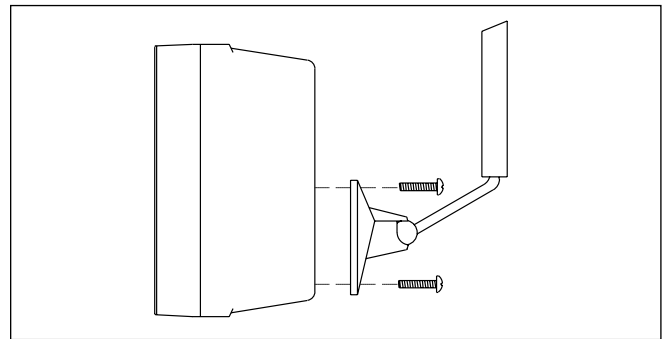
MOUNTING THE OS SERIES LOUDSPEAKER



Nail Mounting



Screw Mounting

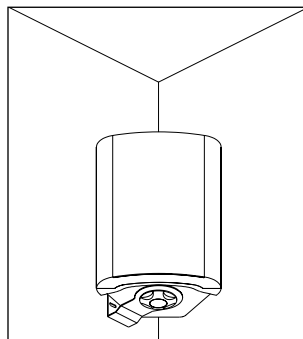


OmniMount or Custom Bracket Mounting

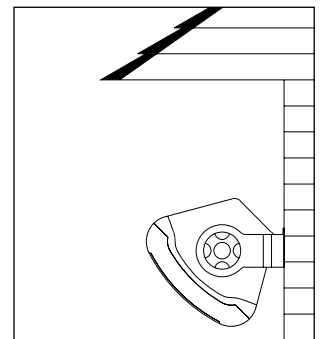
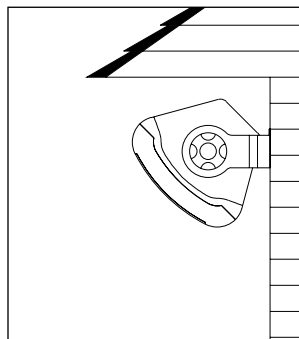
TOOLS REQUIRED

- Wire stripper
- Pencil
- Level (optional)
- Three screws or bolts suitable for the mounting surface
- Screwdriver for your mounting hardware
- Drill bit of the right size and type
- Electric drill

USING CORNERS OR EAVES TO CONTROL THE BASS OUTPUT OF THE OS SERIES



Placement for more bass output



Placement for less bass output



NILES AUDIO CORPORATION
12331 S.W. 130 STREET MIAMI, FLORIDA 33186
TEL: (305) 238-4373 FAX: (305) 238-0185
www.nilesaudio.com

