

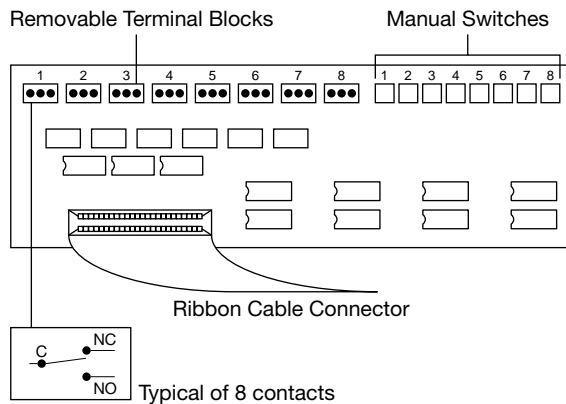
HOMEWORKS™ Low Voltage Relay Card

HW-LVOC-8

LUTRON SPECIFICATION SUBMITTAL

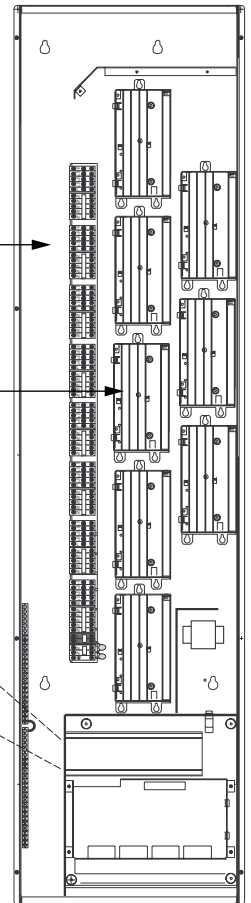
| Job Name | | Job Number | |
|---------------------|-------------|-----------------------|------|
| Location | | Zones Controlled | |
| Model No. HW-LVOC-8 | | | |
| Relay No. | Description | Latching or Momentary | Load |
| 1 | | | |
| 2 | | | |
| 3 | | | |
| 4 | | | |
| 5 | | | |
| 6 | | | |
| 7 | | | |
| 8 | | | |

Low Voltage Relay Card



Terminal Blocks handle 8 Remote Power Modules (RPMs), with capacity of 4 Zones Per Module

RPM Module Locations (8 Maximum Per Panel)



Remote Power Panel (model shown HW-RPM8/32-230CE)

Specifications

| | | |
|-------------------------------|---------------------|-----------|
| Maximum Contact Rating | 0.4A @ 30VAC 30 VDC | Resistive |
| | 0.1A @ 30VAC | Inductive |
| | 0.3A @ 30VDC | Inductive |

Function

The HomeWorks Low Voltage Relay Card (HW-LVOC-8) can be used to control external equipment via contact closures. Typical applications include motor controllers, audio, and video controllers. Each relay card supports 8, form C, dry contact

outputs. It is mounted to the chassis of an HW-MA-8 Microprocessor Unit. Master Keypad buttons can be programmed to use outputs as latching or momentary with selectable time durations of .75, 1.5, or 2.1 seconds.

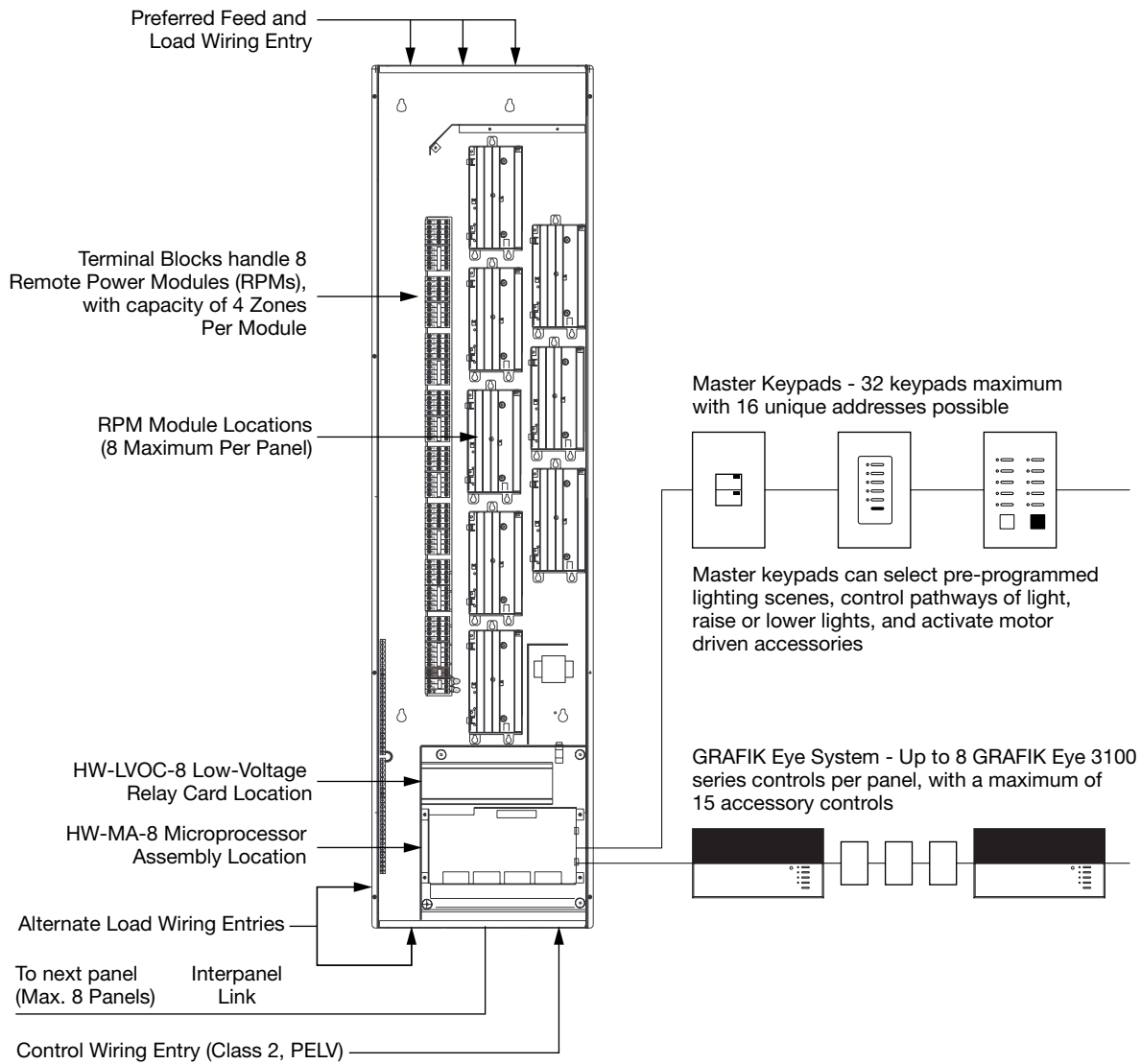


Lutron Electronics Co., Inc.
7200 Suter Road
Coopersburg, PA 18036, USA
7/98 P/N 362-818/A4

For additional submittal sheets, call our Hotline and Fax-on-Demand Service at 1-800-523-9466, or visit Lutron's Web site at <http://www.lutron.com/resi>



Overview of HomeWorks Integrated System



Installation

Remove HW-LVOC-8 from its packing while observing cautionary handling practices. Touch fingers to earth-grounded rough-in panel.

Place the HW-LVOC-8 into the mounting channel of the microprocessor assembly. Place one edge of the panel into a channel and push the other edge of the panel until it snaps into the other mounting channel.

Warranty

Lutron will, at its option, repair or replace any control that is defective in materials or manufacture within two years after the purchase.

This warranty is in lieu of any other warranties, express or implied, and the implied warranty of merchantability is limited to two years from purchase.

This warranty does not cover the cost of installation, removal or reinstallation, or damage resulting from misuse, abuse, or improper wiring or insulation.

This warranty gives you specific legal rights, and you may also have other rights which vary from state to state. Some states do not allow the exclusion or limitation of incidental or consequential damages, or limitations on how long an implied warranty may last, so the above limitations and exclusions may not apply to you.

Printed in U.S.A.

© 1998 Lutron Electronics Co., Inc.